

### 38 1/2" x 38 1/2" Roll-in Transfer Pan

OD: 38 1/2" x 38 1/2" (978 mm x 978 mm)  
 Threshold High: 0" (0 mm) with 1 1/8" Recess (29mm)  
 Rough Opening: 38 3/4 x 38 5/8" (985 mm x 921 mm)  
 Shower Pan Weight: 82lbs. (37.2kg.)

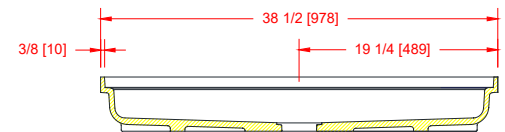
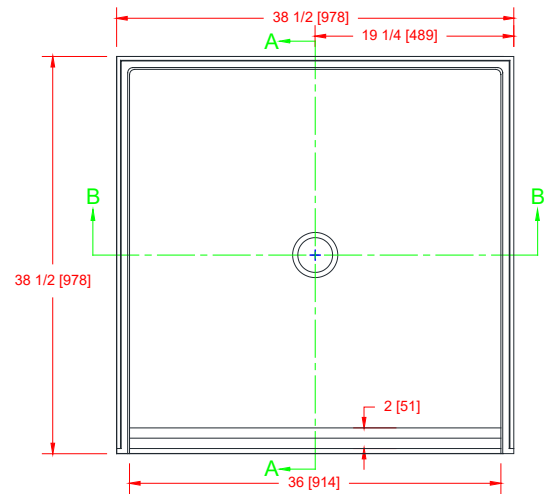
The Gemstone 3838ECR transfer pan is suitable for a center drain ADA configuration. Feature at the front of the pan maximizes water retention, while complying with ADA elevation change requirements for a roll-in pan. The option to add an optional factory applied patented membrane system to the shower pan is perfect for eliminating the risk of leakage at the most vulnerable point between the threshold of the shower pan and the flooring that adjoins, allowing the pan to be tied into a tile or flooring system. Gemstone shower pans meet and exceed the F462 COF testing while being very easy to clean and the 1" water dams allow any wall system to be securely added. The grid system on the bottom of the pan is built in for maximum structure and integrity. The 3838ECR is perfect for commercial applications for maximum durability

Gemstone shower pans carry a 10 year factory warranty when installed in accordance to the Gemstone installa-

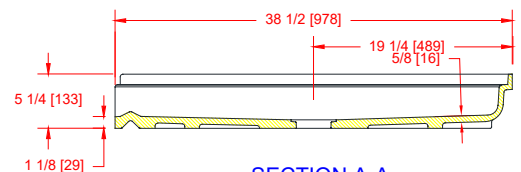
### Drain Layout

Center of Drain is 19 3/8" [493mm] from back stud wall by 19 3/8" [493mm] from Left stud wall.  
 A 6" core is recommended for drain clearance\*

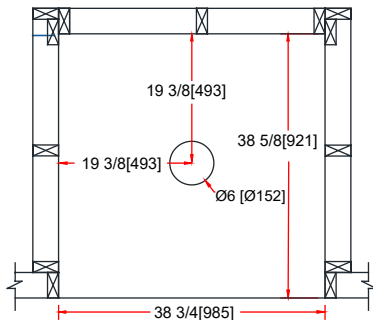
\*Check all building and fire codes prior to installation



SECTION B-B



SECTION A-A



Certified by:  
**Home Innovation Lab**  
 (NAHB):ANSI Z124.2



Gemstone Shower Pans are proudly made in the USA