

RT1610-VO Universal Lavatory Bowl

(Overflow Model)

I.D.: 15 3/4" x 9 7/8" (400 mm x 251 mm)

Depth: 4 1/2"* (114 mm)

*Depth does not include counter top thickness



The Gemstone RT1610-V "Race Track" lavatory bowl is part of Gemstone's commitment to design that is appealing to all. Design, function, performance are critical for today's architects, designers and homeowners. The

RT1610-V is ideal for all applications, residential, clinical, commercial, restaurants and laboratories but was specifically designed for narrow vanity cabinets or applications where space is a premium. The RT1610-VO with an overflow is also available and has a smooth overflow tube which maximizes infection control in hospital applications in a bowl requiring an overflow.

Gemstone Sinks are compatible and warranted when used with all major solid surface sheet brands (acrylic and polyester) with the same sheet warranties.



Gemstone supports conservation and green building practices. Gemstone Packages all products in 100% recyclable packaging using boxes made primarily of recycled paper.



Gemstone sinks are proudly made in the USA and certified by:

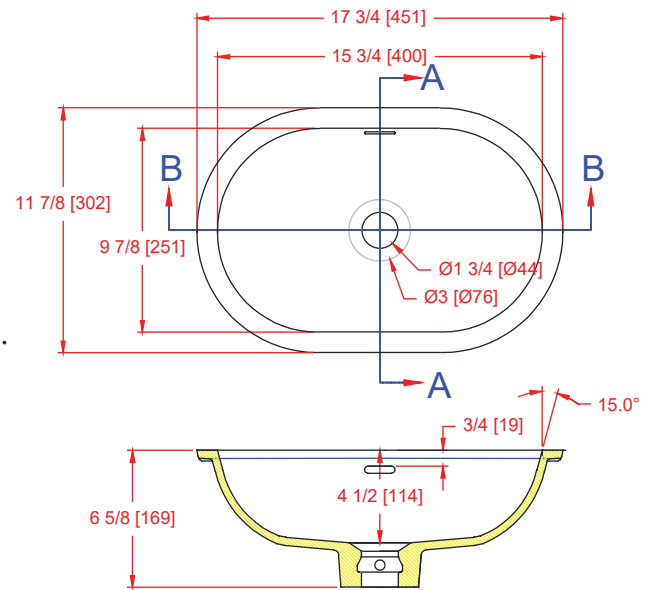
Home Innovation Lab (NAHB): HUD UM Bulletin No. 73a & (B45.5/IAPMO Z124 Z124.6)

UL in the US and Canada: HUD UM Bulletin No. 73a & (B45.5/IAPMO Z124 Z124.6)

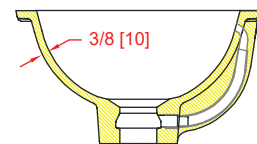


For router bit recommendations visit:

www.Gemstoness.com/tech



Section B-B



Section A-A
RT1610-VO