

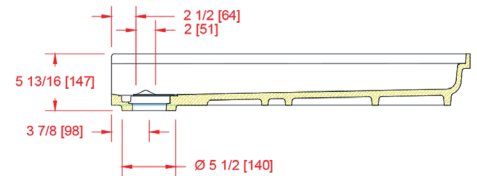
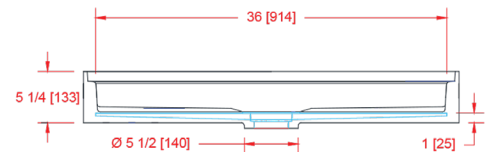
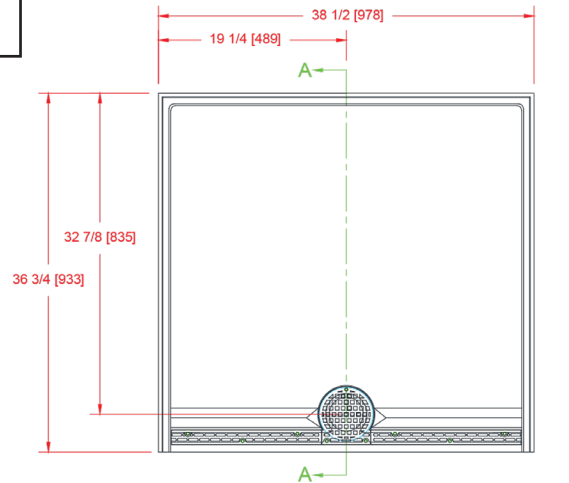
38 1/2" x 38 1/2" Trench Drain Pan

Center Front Trench Drain

OD: 38 1/2" x 36 3/4 (978 mm x 933 mm)
 Threshold Height: 0" (0 mm) with 1 1/8" Recess (29mm)
 Rough Opening: 38 3/4 x 36 5/8" (985 mm x 930mm)
 Shower Pan Weight: 82lbs. (37.2kg.)

The Gemstone 3838ETR trench drain roll-in pan is suitable for ADA transfer pan configuration. The drain feature at the front of the pan maximizes water retention, while complying with ADA elevation change requirements for a roll-in pan. In addition, with correct slope back to the pan from the bathroom floor, water can re-enter the pan reducing the opportunity for fugitive water acting as a floor drain for the rest of the bathroom. The option to add an optional factory applied patented membrane system to the shower pan is perfect for eliminating the risk of leakage at the most vulnerable point between the threshold of the shower pan and the flooring that adjoins, allowing the pan to be tied into a tile or flooring system. Gemstone shower pans meet and exceed the F462 COF testing while being very easy to clean and the 1" water dams allow any wall system to be securely added. The grid system on the bottom of the pan is built in for maximum structure and integrity. The 3838ETR is perfect for commercial applications for maximum durability.

Gemstone shower pans carry a 10 year factory warranty when installed in accordance to the Gemstone installation instructions.

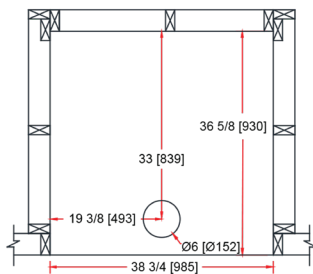


SECTION A-A

Drain Layout

Center of Drain is 33" [839mm] from back stud wall by
 19 3/8" [493mm] from Left stud wall.
 A 6" core is recommended for drain clearance*

*Check all building and fire codes prior to installation



Certified by:
Home Innovation Lab
 (NAHB):ANSI Z124.2



Gemstone Shower Pans are proudly made in the USA

2040 Industrial Pkwy Elkhart, IN 46516 • 574-294-8899 or 877-233-7893

sales@gemstiness.com • www.gemstiness.com

GSTECH210720