

2917-D Kitchen Sink

I.D.: 29" x 16 11/16" (737 mm x 424 mm)

Depth: 9"* (229 mm)

*Depth does not include counter top thickness




The Gemstone 2917-D, with tighter radii, sleek curves, steeper side walls, and narrower sink divider offers more usable floor space at the bottom of the sink than other models. This sink is

reversible so the small sink can be on the left or right. The lowered divider bar offers an aesthetic improvement to the sink as well as easier routing and sanding for the fabricator. This European style double equal kitchen sink provides a seamless kitchen sink in any solid surface sheet material, acrylic, polyester or blended. This sink fits well in a 36" cabinet.

Gemstone Sinks are compatible and warranted when used with all major solid surface sheet brands with the same sheet warranties.

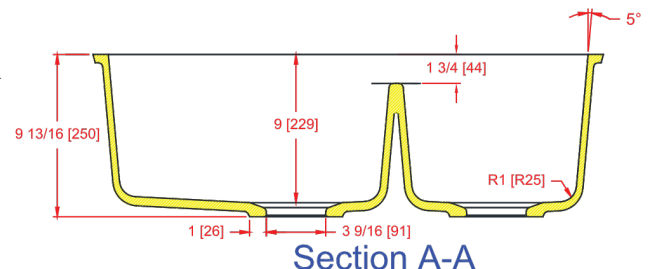
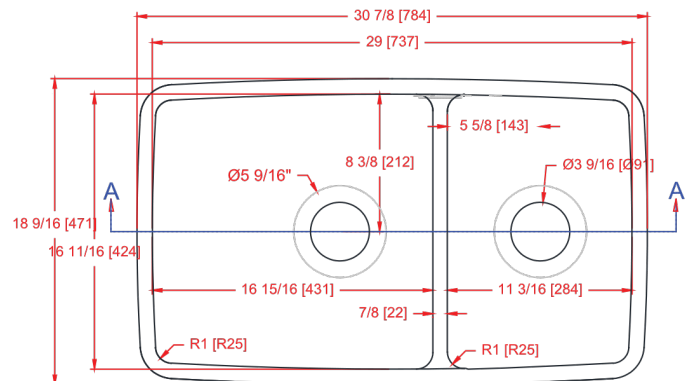


Gemstone supports conservation and green building practices. Gemstone Packages all products in 100% recyclable packaging using boxes made primarily of recycled paper.

 Gemstone sinks are proudly made in the USA and certified by:

Home Innovation Lab (NAHB): HUD UM Bulletin No. 73a & (B45.5/IAPMO Z124 Z124.6)

UL in the US and Canada: HUD UM Bulletin No. 73a & (B45.5/IAPMO Z124 Z124.6)



Home Innovation
LAB CERTIFIED™



For router bit recommendations visit:

www.Gemstoness.com/Tech