


## OCT 1215-VO Vanity Sink

(Overflow Model)

I.D.: 16 1/4" x 11 7/8" (413 mm x 302 mm)	 <b>ADA</b> Compliant
Depth: 5 1/8"* (131 mm)	
*Depth does not include counter top thickness	



The Gemstone OCT1215-VO Octagon lavatory bowl is part of Gemstone's commitment to design that is appealing to all. Design, function, performance are critical for today's architects, designers and homeowners. The OCT1215-VO is ideal for all

applications, residential, clinical, commercial, restaurants and laboratories but was specifically designed for corner vanity application or for narrow or space limited applications where the faucet needs to be turned due to lack of space behind the vanity bowl. The depth of the bowl allows for ADA applications all the way to 17" depths, something most bowls can not do. The OCT1512-VO has a smooth overflow tube which maximizes infection control in hospital applications in a bowl requiring an overflow.

Gemstone Sinks are compatible and warranted when used with all major solid surface sheet brands (acrylic and polyester) with the same sheet warranties.



Gemstone supports conservation and green building practices. Gemstone Packages all products in 100% recyclable packaging using boxes made primarily of recycled paper.



Gemstone sinks are proudly made in the USA and certified by:

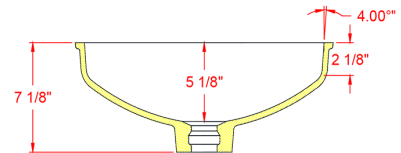
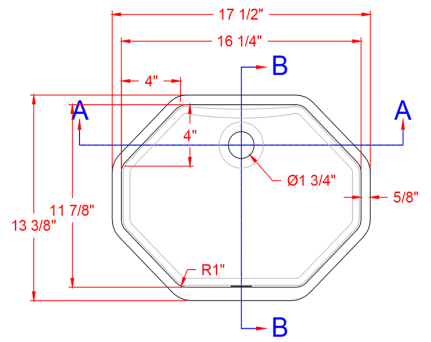
**Home Innovation Lab** (NAHB): HUD UM Bulletin No. 73a & (B45.5/IAPMO Z124 Z124.6)

**UL** in the US and Canada: HUD UM Bulletin No. 73a & (B45.5/IAPMO Z124 Z124.6)



For router bit recommendations visit:

[www.Gemstoness.com/Tech](http://www.Gemstoness.com/Tech)



Section A-A

